



PTFE MOULDED BELLOW WITH SS RING & LIMIT BOLTS

- **Size:** 50MM NB TO 600MM NB
- **Length:** 50MM – 500MM
- **Pressure Types**
upto 2kg/cm²
3kgs-10kg/cm²

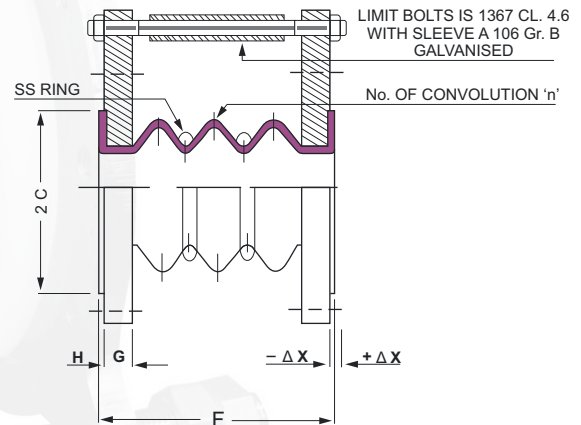
▪ PTFE bellows or PTFE expansion joint and PTFE compensators combine the high corrosion resistance of PTFE and its fantastic flexion capability. In chemical installations there must be the possibility to use products that both compensate lateral and axial expansions/vibrations, and withstand acids and temperatures. Highly reliable over 10 bar up to +/- 200°C PTFE joints are excellent solution. Expansion joints are usually interposed elements which take up vibrations and expansions caused by the continuous working of fluid piping machineries or systems.

▪ Pipelines are subject to expansions caused by different temperatures, pressures, external movements, and pipeline weight. If strength and movement values exceed acceptable values, thermal expansion joints have to be used as they allow extreme conditions resistance.

▪ All products are exclusively made with paste-extruded PTFE for the highest flex life, in both virgin or antistatic qualities.

▪ **Key Features**

- 3 and 5 convolutions bellows available
- Reinforced bellows for high-pressure service
- Full vacuum up to 180°C
- PTFE lined stainless steel compensator available for very high pressure service From 1" (NB25) to 24" (NB600) bellows and compensators are equipped with carbon steel flanges, PN10, ANSI 150 lbs or any other connection standards.
- Antistatic qualities available.



(Unit : mm)

NB	G	PTFE BELLOW 3G EB - 3 con.		PTFE BELLOW 3G EB - 3 con. n' = 3		
		Liner Wall Thk. (min.)	FL. Face Thk. H (min.)	F mm	Δ X +/- mm	Y mm
25	10	2	1.6	50	12	10
32	10	2	1.6	50	12	12
40	10	2	1.6	50	12	15
50	12	2	1.6	75	15	15
65	12	2.5	2.0	75	22	17
80	12	2.5	2.0	100	25	17
100	14	2.5	2.0	100	25	17
125	14	3	2.4	125	28	18
150	16	3	2.4	150	28	18