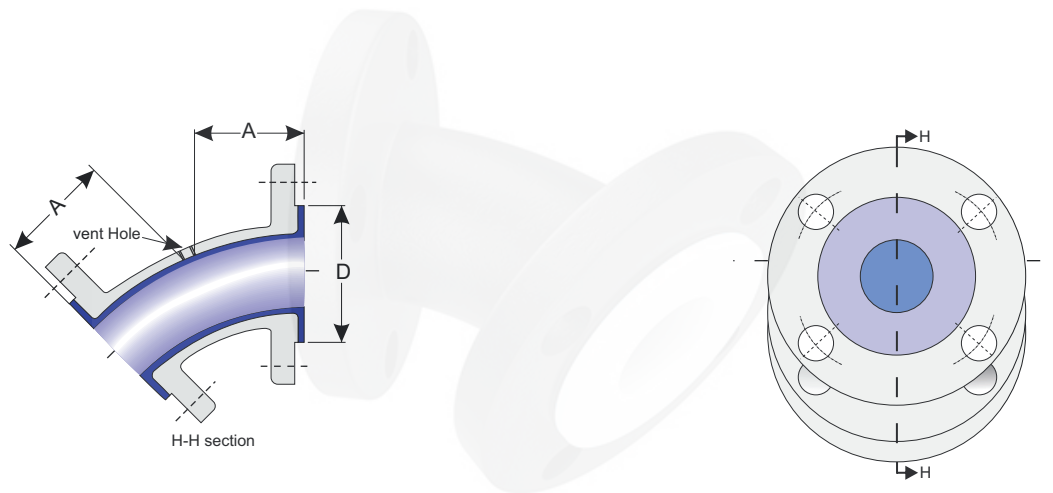




45° ELBOW

- Steel frame: ASTM A234 grade WPB, in compliance with ANSI B16.28
- Steel bend: according to SCH 40.
- Flange: ASTM A105, in compliance with ANSI B16.5/ Class 150lbs: JIS 10K or DIN is also available on request.
- Standard: Two fixed flange: one loose flange and one fixed Flange or two loose flange is on request.
- Lining: Pure PTFE in compliance with ASTM D4894, D4895 under 4" PFA Lined 45° elbow is on request.
- Other nominal sizes are available on request.
- Available on request:
 - ANSI B16.5 Class 300 flanges
 - Vacuum resistance
 - Antistatic PTFE
 - Stainless Steel body
 - Higher diameters on request



(Unit : mm)

Nominal pipe size		A	t	D
Inch	mm			ANSI 150LBS
1	(25)	45	3	51
1 ½	(40)	58	3	73
2	(50)	64	3	92
2 ½	(65)	76	3	105
3	(80)	76	3	127
4	(100)	102	3	157
6	(150)	127	5	212
8	(200)	140	5	270
10	(250)	165	6	324
12	(300)	191	6	381