



Thermowell Baffles Jacketed with PTFE

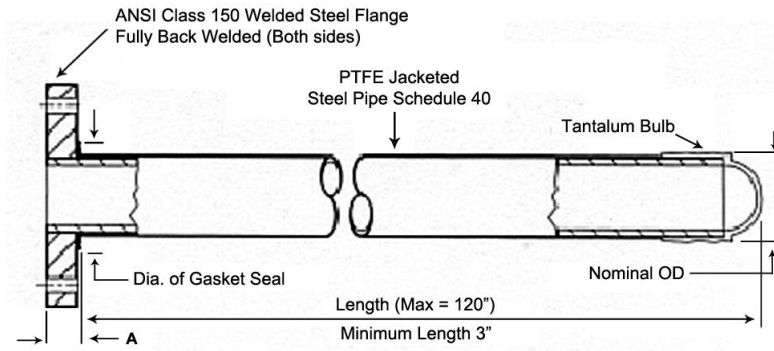
PTFE Jacketed Thermowell-baffles for inserting Thermocouples below the liquid level of corrosion mixtures are designed to withstand immersion in all acids, except hydrofluoric, at temperatures to 350°F. Their corrosion resistance and strength are also designed to provide long-life and maintenance-free operation of both thermowells and vessels. They are constructed of a PTFE jacketed steel pipe with a special tantalum bulb swaged on the bottom end. Heat conductivity of 0.130 cal./cm²/°C/sec. is provided through the tantalum bulb which combines good chemical resistance with high thermal Conductivity.

Thermowell Baffles Jacketed with PTFE

Nominal size		Steel Pipe	Connecting Flange	Mounting Flange	L max	RF of Jacket ØF 1	Nominal OD	Max Recommended Unsupported Length	Max Offset
Inch	mm	mm	mm	mm	mm	mm	mm	mm	mm
1"	25	25	25NB	50NB	3000	88	45	1200	150
1 ½"	40	40	40NB	65NB	3000	105	58	1600	200
2"	50	50	50NB	80NB	3000	118	70	2000	250
3"	80	80	80NB	100NB	3000	151	99	2400	300

- **Pipe:** ASTM A 106 Grade B schedule 80
- **Flange:** IS 2062 Grade B. ANSI B16.5 ASA150 # for drilled holes
- **Standard:** Two fixed flanges, loose flange available on request
- **Lining:** Pure PTFE in compliance with ASTM D 1457, white in colour
- **Lining thickness:** 3 to 5 mm exceeds the relevant ASTM F-1545 standard specs.
- **Operating temperature:** PTFE -29 to 260 deg. C
- **Operating pressure:** Vaccume to 6 kg / cm. sq.
- **Hydrostatic pressure test:** 10 kg / cm. sq.
- **Air leak test:** 2 kg / cm. sq. before drilling of sparging element
- **Spark test:** 10 KV

Thermowell Baffles Jacketed with PTFE



Thermowell Baffles Jacketed with PTFE

